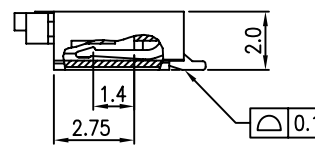
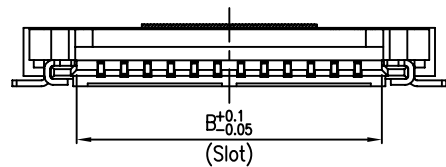
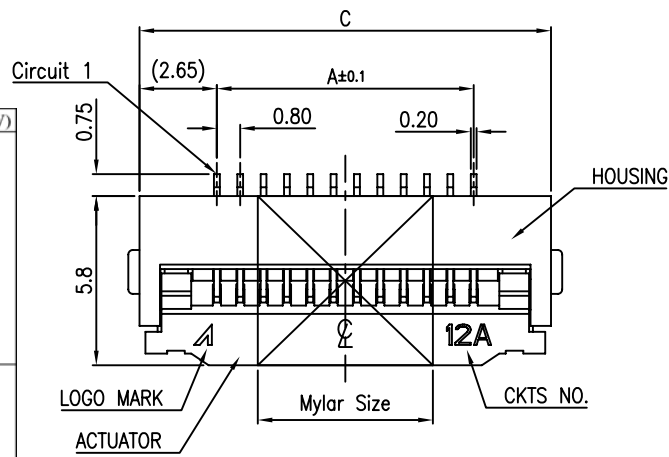


NOTES:

- MATERIAL:
 - HOUSING: THERMOPLASTIC, HIGH TEMP., UL94V-0;
 - ACTUATOR: THERMOPLASTIC, HIGH TEMP., UL94V-0;
 - CONTACT: COPPER ALLOY
 - FITTING NAIL: COPPER ALLOY
 - LATCH: THERMOPLASTIC, HIGH TEMP., UL94V-0;
- FINISH:
 - CONTACT:
 - 50u" MIN. NICKEL UNDERPLATING OVERALL.
 - N:100u" MIN. MATT TIN UNDERPLATING OVERALL.
 - 1:GOLD FLASH PLATING OVERALL
 - FITTING NAIL:
 - 50u" MIN. NICKEL UNDERPLATING OVERALL.
 - N:100u" MIN. MATT TIN UNDERPLATING OVERALL.
 - 1:GOLD FLASH PLATING OVERALL
- REFLOW SOLDER CAPABLE TO 260°C PER ACES SPEC.
- SPEC. PLS. REFER TO PS-50519-XXXX-XXX
- THE PACKING PLS REFER TO 91504-XXXX-TRP.
- PART NUMBER



50519-XXX X X-XXX

| | | |
|-----|----------------|-----------------|
| XXX | Housing Color. | Actuator Color. |
| 001 | BLACK | WHITE |

CKTS _____ PLATING _____

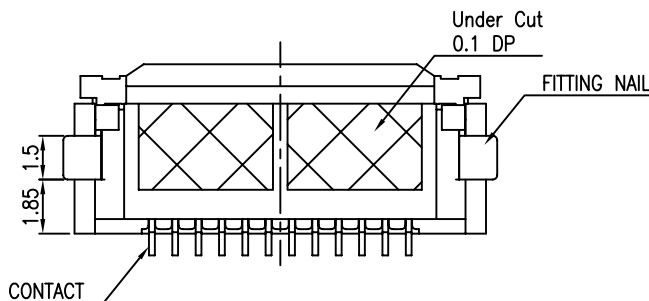
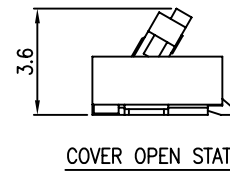
PACKING _____ N: MATTE TIN(Lead Free)

0: REEL _____ 1: GOLD FLASH OVERALL (LEAD FREE)

1: TUBE _____

4: TAPE & REEL WITH MYLAR _____

5: TUBE WITH MYLAR _____



| CKT | Dim A | Dim B | Dim C | M/S(W) |
|-----|-------|-------|-------|--------|
| 4 | 2.40 | 4.06 | 7.7 | 6.0 |
| 5 | 3.20 | 4.86 | 8.5 | |
| 6 | 4.00 | 5.66 | 9.3 | |
| 7 | 4.80 | 6.46 | 10.1 | |
| 8 | 5.60 | 7.26 | 10.9 | |
| 9 | 6.40 | 8.06 | 11.7 | |
| 10 | 7.20 | 8.86 | 12.5 | 10.0 |
| 11 | 8.00 | 9.66 | 13.3 | |
| 12 | 8.80 | 10.46 | 14.1 | |
| 13 | 9.60 | 11.26 | 14.9 | |
| 14 | 10.40 | 12.06 | 15.7 | |
| 15 | 11.20 | 12.86 | 16.5 | |
| 16 | 12.00 | 13.66 | 17.3 | |
| 17 | 12.80 | 14.46 | 18.1 | |
| 18 | 13.60 | 15.26 | 18.9 | |
| 19 | 14.40 | 16.06 | 19.7 | |
| 20 | 15.20 | 16.86 | 20.5 | |
| 21 | 16.00 | 17.66 | 21.3 | 15.0 |
| 22 | 16.80 | 18.46 | 22.1 | |
| 23 | 17.60 | 19.26 | 22.9 | |
| 24 | 18.40 | 20.06 | 23.7 | |
| 25 | 19.20 | 20.86 | 24.5 | |
| 26 | 20.00 | 21.66 | 25.3 | |
| 27 | 20.80 | 22.46 | 26.1 | 15.0 |
| 28 | 21.60 | 23.26 | 26.9 | |
| 29 | 22.40 | 24.06 | 27.7 | |
| 30 | 23.20 | 24.86 | 28.5 | |
| 31 | 24.00 | 25.66 | 29.3 | |
| 32 | 24.80 | 26.46 | 30.1 | |
| 33 | 25.60 | 27.26 | 30.9 | 15.0 |
| 34 | 26.40 | 28.06 | 31.7 | |
| 35 | 27.20 | 28.86 | 32.5 | |
| 36 | 28.00 | 29.66 | 33.3 | |
| 37 | 28.80 | 30.46 | 34.1 | |
| 38 | 29.60 | 31.26 | 34.9 | |
| 39 | 30.40 | 32.06 | 35.7 | 15.0 |
| 40 | 31.20 | 32.86 | 36.5 | |

| | | |
|---|--|---|
| 一般公差 TOLERANCES X ±0.5 XX ±0.15 X ±0.25 XXX ±0.1 ANGLE ±2° | 宏致電子股份有限公司 Aces Electronic Co.,Ltd. | |
| 檢驗尺寸標示 SYMBOLS (M) (D) INDICATE CLASSIFICATION DIMENSION (M) MARK IS CRITICAL DIM. (D) MARK IS MAJOR DIM. 表面處理 (FINISH) | 品名 (TITLE) 0.8 PITCH EASY ON FPC CONN. SMT R/A B/C TYPE 圖號 (DWG.NO) 50519-XXXXX-XXX 比例 (SCALE) 單位 (UNITS) 4:1 mm | 製圖 (DR) 10/11/08 XIAO 審核 (CHKD) WGCH 核准 (APPD) Jason 張數 (SHEET) 1 OF 1 SIZE A4 REV C |